

Locking-Type Photoelectric Controls & Accessories

FPS476 Series

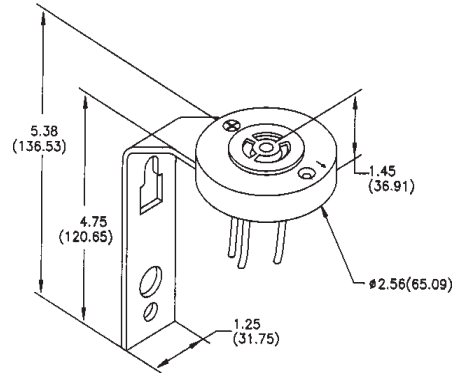


FPS476-71
or
FPS476-73

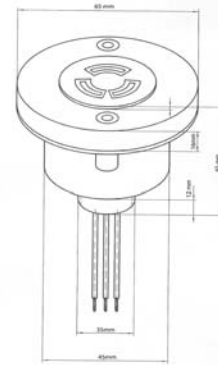


FPAT902-1

FPS476-81 Mechanical Diagram



FPAT902-1 Mechanical Diagram



Receptacles & Mounting Brackets

A variety of locking-type receptacles are available to meet specific application needs. Receptacles are UL recognized and CSA certified, feature 18" No. 14 AWG color coded leads, and are rated for use up to 480V and 1800VA.

Model FPS476-71

Three pole locking-type receptacle with polycarbonate housing and wall mounting bracket 1/2" – 14 thread.

Dimensions:

- Socket: 2-11/16" H; 2-5/8" Dia.
- Nipple: 1/2" – threaded; 5/8" L
- Bracket: 4-3/4" H; 1-1/4" W

Model FPS476-73

Three pole locking-type receptacle with polycarbonate housing and 1/2" pipe thread. (FPNS476-71 without wall bracket).

Dimensions:

- Socket: 2-11/16" H; 2-5/8" Dia.
- Nipple: 1/2" – 14 thread; 5/8" L

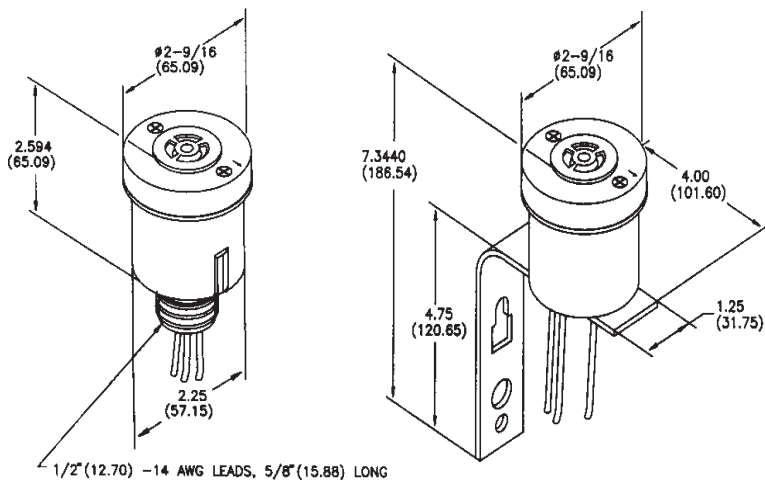
FPAT902-1

Receptacle assembly only.

Dimensions:

- Socket: 1-9/16" H; 2-9/16" Dia.

FPS476-71 Mechanical Diagram



Ordering Information

Model	Line Voltage	Load Rating		
		Tungsten	HID Ballast	
FPS476-71	up to 480V	15A max.	15A max	Includes Bracket
FPS476-73**	up to 480V	15A max.	15A max	No Bracket
FPS476-81	up to 480V	15A max.	15A max	Includes Bracket
FPAT902-1***	Receptacle assembly only.			No Bracket

* UL recognized. CSA certified.

**Purchase FPS476-71 and remove bracket.

***Purchase FPS476-81 and remove bracket.