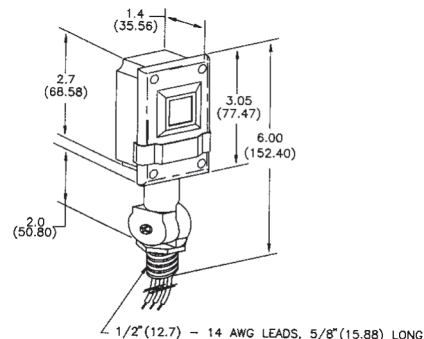


FPFT Series



FPSFT Series



FPFT/FPSFT Contractor Grade Controls

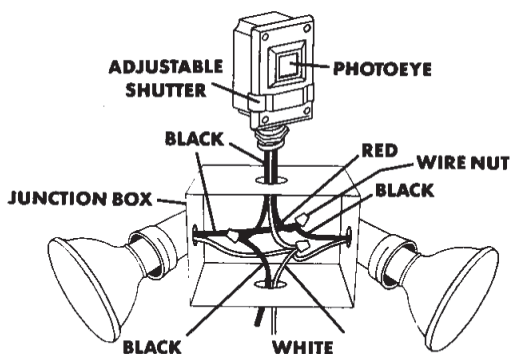
The FPFT Series photoelectric control is enclosed in a UV-resistant rain tight polycarbonate housing with a 1/2" threaded nipple. All controls are factory calibrated to a 1.0 footcandle (fc) turn-on. The shutter allows field adjustment of turn-on.

The FPSFT Series photoelectric control incorporates a swivel mounting for positioning flexibility. All other design features and ratings are identical to the FPFT Series control described above.

Application

The FPFT/FPSFT Series spec-grade, conduit-mounted controls are designed for safety and security lighting of walkways, entrances, parking lots, farm yards, recreational and public areas. These highly reliable controls are ideal for protective lighting in schools, malls, commercial and industrial buildings. To ensure proper operation, the FPSFT swivel unit permits adjustment away from highly lit areas where the control might 'see' light from adjacent fixtures.

FPFT/FPSFT Series Wiring Diagram



Specifications

| | |
|---------------------------|---------------------------------------------------------------------------------|
| Photocell: | Conformally coated cadmium sulfide photocell |
| Switch Type: | SPST-NC (single-pole, single-throw, normally closed) bimetallic switch |
| Nipple: | 1/2" - 14 thread; 5/8" long; fits 1/2" knockout |
| Leads: | 15" long; color coded; 105 C wire, 1/2" stripped, 16 AWG |
| Turn-On: | 1 to 5 footcandles (fc). Field adjustable using the sliding shutter |
| Turn-Off: | 3 to 15 footcandles (fc) |
| Time Delay: | 30 seconds minimum |
| Rated Life: | 5,000 operations minimum at rated load |
| Temperature Range: | - 40° to + 70°C - 40° to +158°F |
| Dimensions: | FPFT Series: 3.60" L; 2.05" W; 1.4" D FPSFT Series: 6.00" L; 2.05" W; 1.4" D |

Ordering Information

| Model | Line Voltage | Load Rating | |
|-----------|--------------|-------------|-------------|
| | | Tungsten | HID Ballast |
| FPFT15 | 120 | 2000W | 1000VA |
| FPFT168 | 208-277 | 2000W | 1000VA |
| FPSFT15 | 120 | 2000W | 1000VA |
| FPSFT168 | 208-277 | 2000W | 1000VA |
| FPFT305 | 105-305 | 1000W | 1800VA |
| *FPSFT305 | 105-305 | 1000W | 1800VA |
| **FPFT30 | 120 | 2000W | 2000VA |

*Not UL/CSA certified
**Diecast - not UL/CSA certified

The information in this document is provided for informational use only and is subject to change without notice.

© 2020 by Sunrise Technologies, Inc. All rights reserved.

Doc: V082420.2